



Luxaflex® LightLine®

Suggested Retail Prices (inc.VAT)

March 2024

Child Safety

All of our products meet with the child safety requirements of the revised publication of EN 13120:2009+A1:2014, Internal blinds – performance requirements including safety.

Control lengths

As a requirement of EN 13120:2009+A1:2014, the maximum control length is determined by the safety device used on the product as well as the drop of the blind or installation height. The chart below details the maximum length of looped control chain available.



**make it
safe**



CONTACT DETAILS

Address

Luxaflex® UK
Battersea Road
Heaton Mersey Industrial Estate Stockport, Cheshire
SK4 3EQ

Phone numbers

Front desk: 0161 442 9500

Fax numbers

Sale: 0161 432 3200

Email addresses

General: info@luxaflex.co.uk
Orders: orders.online@luxaflex.co.uk Marketing: marketing@luxaflex.co.uk
Training Academy: training.academy@luxaflex.co.uk

General Luxaflex website

www.luxaflex.co.uk

Dealer website

<http://dealers.luxaflex.co.uk/>

On the dealer portal you can find the most up to date lead time, and product information as well as order forms.

- Luxaflex® digital ordering system "Connect": www.luxaflexconnect.co.uk

Please note the following important information:

- All text, images, interfaces, photos of Hunter Douglas products or otherwise, trademarks, logos, sounds, music and artwork ("the Content"), including but not limited to its design, structure and / or selection, of such content displayed on this Website is owned by or licensed to Hunter Douglas and / or its affiliate companies (collectively "Hunter Douglas").
- The content may be used, but exclusively for the promotion of Luxaflex® products. Any other use of the Content of the Websites is strictly prohibited.
- The material and all related rights remain exclusive ownership of (the subsidiary concerned from) Hunter Douglas, unless expressly different agreed.



HOW TO CALCULATE A PRICE

- Based on your specific width and height, the prices detailed on pages 15 and 16 indicate the price for a standard product. On this page the standard product is defined.
- If applicable, options or alternative controls can be added. After calculating the price for a standard product, the add-on price for an option and the add-on price for the type of control can be added. The total product price is the combination of the price tables, options and alternative control.

HOW TO ORDER

Luxaflex® Connect

- Instant ordering, 24/7-even when the Luxaflex®office is closed
- Final order input onto our system-no queries
- Full insight into your order history
- Luxaflex® Connect will confirm if the blind is possible to manufacture
- Instant pricing including all product surcharges, with discounts show as a value and not a percentage.
- Available on mobile devices
- Full online programme which means no installation of software is required.





Product description

- This product is suitable for damp areas such as kitchens and bathrooms.
- Available with 29cm segments with single sided ribs or with 44cm segments with either single-sided or double-sided ribs.
- LightLine® Roller blinds have a sprung end plug for safe and easy installation.

The final digit in the type number indicates the control form :

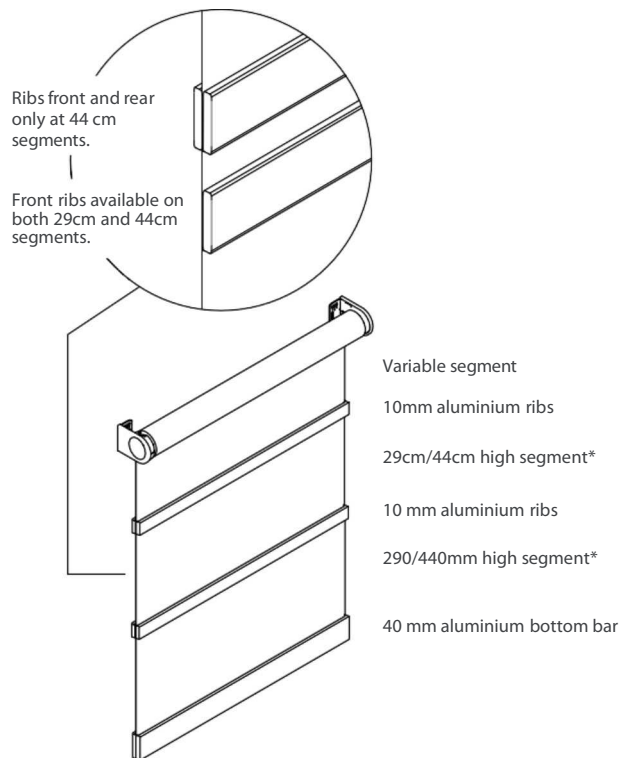
1 = Chain

6 = Motorised 24 volts

8 = PowerView® motor 18 volt

Ribs and bottom rail

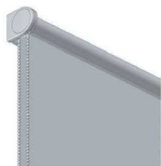
- Available in white, silver (aluminium) or black.
- Segments are split by 10mm ribs.
- Segments available in 29cm or 44cm gaps.
- 29cm segments:
 - Ribs only at the front.
- 44cm segments:
 - Ribs at the front.
 - Ribs at the front and back.
- Bottom bar is only available in a 40mm strip.



* Specify when ordering

Service

1. Chain



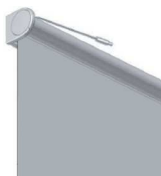
- Standard operation.
- Chain operation meets safety requirements EN 13120.
- Chain operation meets Plastic chain is available as an option - available in white, grey or black coordinated to the hardware.
- Specify left or right control when ordering.
- For dimensions see table.

6. Motorized



- Optional operation, at extra cost, which complies with safety requirements EN 13120.
- Operation with switch or remote control.
- For dimensions see table.

8. PowerView® Automation



- Optional operation, at extra cost, which complies with safety requirements EN13120.
- Specify motor on either left or right side.
- 18v motor (built-in) rechargeable battery, transformer or battery.
- Operation with app or remote.
- For dimensions see table.

Dimensions

Minimum and maximum sizes

Control form	Tube diameter 31 mm			
	Min width	Min height	Max width	Max height*
1. Chain	300	500	2500	2500
6. Motor	640	500	2500	2500
8. PowerView®**	370	500	2500***	2500***

* Max. height cassette in combination with double-sided ribs is 1800 mm.

** Min. width for PowerView® motor with internal rechargeable battery pack 550 mm.

*** Max. width and height for PowerView® i.c.m. double-sided segments is 2000 mm x 2500 mm.

Segments and ribs

Product Height (mm)	290 mm single sided		440 mm single/double sided	
	Segments	Ribs	Segments	Ribs
500	2	1	1	0
600	2	1	2	1
700	2	1	2	1
800	3	2	2	1
900	3	2	2	1
1000	3	2	2	1
1100	4	3	3	2
1200	4	3	3	2
1300	4	3	3	2
1400	5	4	3	2
1500	5	4	4	3
1600	5	4	4	3
1700	6	5	4	3
1800	6	5	4	3
1900	6	5	4	3
2000	7	6	5	4
2100	7	6	5	4
2200	7	6	5	4
2300	8	7	5	4
2400	8	7	6	5
2500	8	7	6	5

Please note! The amount of segments and ribs is based on model 10 with mounting brackets and wall mounting.

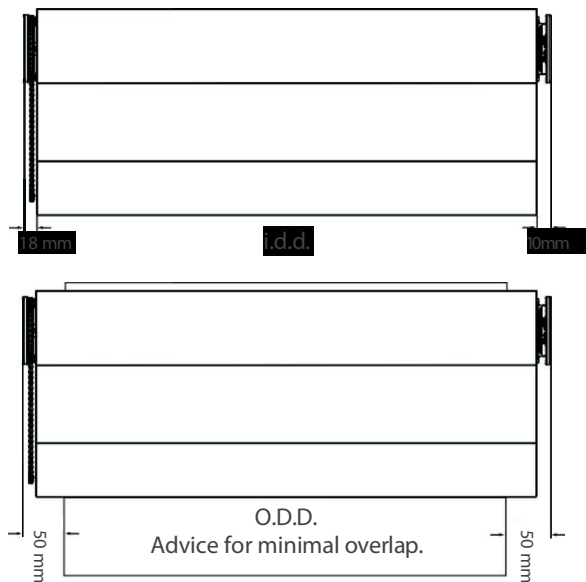
Measuring and Assembling

Size reduction

- Recess size reduction: 3 mm in width.
- Blind size is the specified order size.
- Specifying cloth sizes is not possible.

Measure

- The gap sides per side during chain operation (indicative):



Model 10 mounting brackets

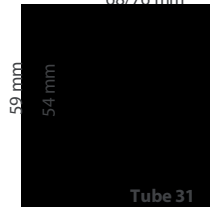
Support 38
62/66 mm



- Standard with 2 steel mounting brackets.
- Steel mounting brackets are available in 3 lengths up to the heart of the roll: 38 mm, 46 mm and 55 mm.
- All forms of operation possible.
- Three colours of hardware: white, grey or black.
- Optionally available with Design Edition in the colours white, black or Pearl Chrome.
- Design mounting brackets are available in 2 lengths.

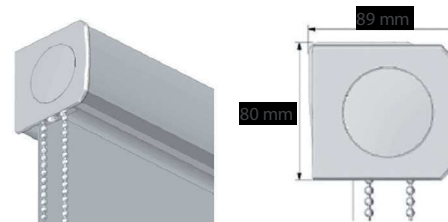
Model 20 mounting brackets

Aid 38/46
68/76 mm



- Optional finish at extra cost.
- Easy assembly with recess clips.
- All forms of operation possible.
- Three colours of hardware: white, grey or black.
- Optionally available with Design Edition in pearl chrome .

Model 580 Cassette S2 (open bottom)



- Optional finish at extra cost.
- Easy assembly.
- Colour co-ordinated brackets.
- All forms of operation possible.
- Three colours of hardware: white, grey and black.
- Maximum height 1800 mm i.c.m. Double sided ribs.

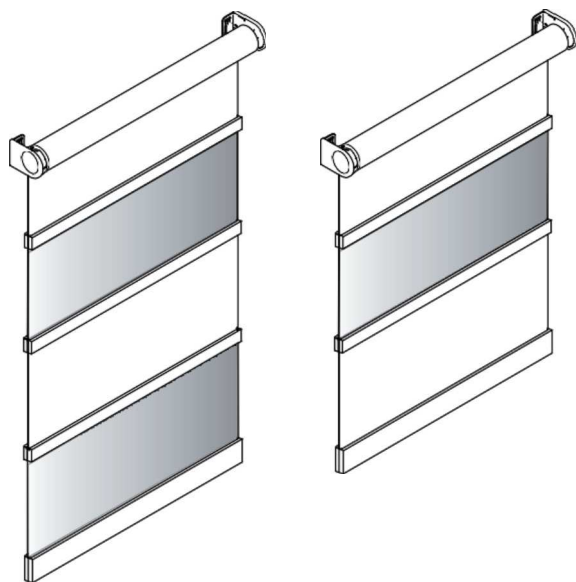
Option

Design Edition

- Optional finish at extra cost.
- Available as type 10 with mounting brackets and type 20 with mounting profile.

Multicolour

- Additional cost.
- 2 colours per roller blind.
- Create your own pattern by selecting one of the two chosen colours per segment.
- Not possible with the fabrics Alma, Areca and Fresco Ombre.



Points

A maximum area of 6.25m².

Cloths and options

- Easy to clean with a damp sponge.

Cutting direction

All samples in the collection book are in B direction, unless A is the only processing direction (Ombre and border designs). With a product width of up to 1400 mm, the substance in the B-direction processed. For a product wider than 1400 mm, the substance is processed in the A-direction. The Ombre and border designs are always processed in the A-direction.

System and assembly

- To prevent the substance from colliding with the control mechanism during rolling, 3 mm is always kept free.
- When ordering "next to each other", the roller blinds will be delivered with the same mounting brackets and the fabric will have the same cutting direction.
- The cutting direction of the fabric is determined in production by means of the maximum size of the widest product in the order. When ordering, specify whether the roller blinds hang next to each other for an equal cutting direction.
- Always tube 31 mm.
- Alignment between several LightLine® roller blinds is only possible with equal segment distances when the products are hanging at the bottom.



Luxaflex® LightLine® - Retail Prices Including VAT

Fabric name	Cutting direction	Dimensions					
		Standard in mm		B-direction in mm		A-direction in mm	
		Minimum width	Minimum height	Max width	Max height	Max width	Max height
Alma	A	300	600	-	-	250	250
Anemona	A+B	300	500	140	250	250	250
Areca	A	300	800	-	-	250	250
Carrara	A+B	300	500	140	250	250	250
Ciela	A+B	300	500	140	250	250	250
Claro	A+B	300	500	140	250	250	250
Fresco	A+B	300	500	140	250	250	250
Fresco Ombre	A	300	650	-	-	250	250
Lino	A+B	300	500	140	250	250	250
Roca	A+B	300	500	140	250	250	250
Soria	A+B	300	500	140	250	250	250
Suave	A+B	300	500	140	250	250	250
Suello	A+B	300	500	140	250	250	250
Tiza	A+B	300	500	140	250	250	250



Luxaflex® LightLine® - Retail Prices Including VAT

Collection Overview

Colour number	Fabric Name	Price Group	Material	Transparency	Light fastness	Page No. in Coll. book
9725	Suave	1	35% PES 65% PP	Illuminating	7	1
9726	Ciela	1	30% PES / 70%PP	Illuminating	7	2
9727	Claro	1	27% PES / 73% PP	Illuminating	7	3
9728	Lino	1	30% PES 70%PP	Illuminating	7	4
9729	Carrara	2	35% PES 65% PP	Illuminating	5-6	43
9730	Carrara	2	35% PES 65% PP	Illuminating	5-6	44
9731	Carrara	2	35% PES 65% PP	Illuminating	5-6	45
9732	Tiza	1	35% PES 65% PP	Illuminating	5-6	46
9733	Suello	1	35% PES 65% PP	Illuminating	5-6	47
9734	Suello	1	35% PES 65% PP	Illuminating	5-6	48
9735	Areca	2	35% PES 65% PP	Illuminating	5-6	49
9736	Suello	1	35% PES 65% PP	Illuminating	5-6	53
9737	Areca	2	35% PES 65% PP	Illuminating	5-6	50
9738	Carrara	2	35% PES 65% PP	Illuminating	5-6	51
9739	Roca	1	35% PES 65% PP	Illuminating	5-6	52
9740	Fresco	1	35% PES 65% PP	Illuminating	5-6	54
9741	Fresco	1	35% PES 65% PP	Illuminating	5-6	55
9742	Carrara	2	35% PES 65% PP	Illuminating	5-6	56
9743	Roca	1	35% PES 65% PP	Illuminating	5-6	57
9744	Suello	1	35% PES 65% PP	Illuminating	5-6	58
9745	Fresco	1	35% PES 65% PP	Illuminating	5-6	59
9746	Carrara	2	35% PES 65% PP	Illuminating	5-6	60
9747	Carrara	2	35% PES 65% PP	Illuminating	5-6	61
9748	Areca	2	35% PES 65% PP	Illuminating	5-6	62
9749	Roca	1	35% PES 65% PP	Illuminating	5-6	63
9750	Tiza	1	35% PES 65% PP	Illuminating	5-6	24
9751	Suello	1	35% PES 65% PP	Illuminating	5-6	25
9752	Roca	1	35% PES 65% PP	Illuminating	5-6	26
9753	Soria	2	35% PES 65% PP	Illuminating	5-6	27
9754	Fresco Ombre	2	35% PES 65% PP	Illuminating	5-6	28
9755	Roca	1	35% PES 65% PP	Illuminating	5-6	29
9756	Suello	1	35% PES 65% PP	Illuminating	5-6	30
9757	Soria	2	35% PES 65% PP	Illuminating	5-6	31
9758	Fresco Ombre	2	35% PES 65% PP	Illuminating	5-6	32
9759	Suello	1	35% PES 65% PP	Illuminating	5-6	33
9760	Tiza	1	35% PES 65% PP	Illuminating	5-6	34
9761	Tiza	1	35% PES 65% PP	Illuminating	5-6	35
9762	Suello	1	35% PES 65% PP	Illuminating	5-6	36
9763	Tiza	1	35% PES 65% PP	Illuminating	5-6	37
9764	Soria	2	35% PES 65% PP	Illuminating	5-6	38
9765	Tiza	1	35% PES 65% PP	Illuminating	5-6	39
9766	Roca	1	35% PES 65% PP	Illuminating	5-6	40
9767	Fresco Ombre	2	35% PES 65% PP	Illuminating	5-6	41
9768	Fresco Ombre	2	35% PES 65% PP	Illuminating	5-6	42
9769	Roca	1	35% PES 65% PP	Illuminating	5-6	5
9770	Fresh	1	35% PES 65% PP	Illuminating	5-6	6
9771	Anemona	2	35% PES 65% PP	Illuminating	5-6	7
9772	Fresco	1	35% PES 65% PP	Illuminating	5-6	8
9773	Roca	1	35% PES 65% PP	Illuminating	5-6	9
9774	Alma	2	35% PES 65% PP	Illuminating	5-6	10



Luxaflex® LightLine® - Retail Prices Including VAT

Colour number	Fabric Name	Price Group	Material	Transparency	Light fastness	Page No. in Coll. book
9775	Suello	1	35% PES 65% PP	Illuminating	5-6	11
9776	Anemona	2	35% PES 65% PP	Illuminating	5-6	12
9777	Tiza	1	35% PES 65% PP	Illuminating	5-6	13
9778	Tiza	1	35% PES 65% PP	Illuminating	5-6	14
9779	Alma	2	35% PES 65% PP	Illuminating	5-6	15
9780	Fresco	1	35% PES 65% PP	Illuminating	5-6	16
9781	Fresco	1	35% PES 65% PP	Illuminating	5-6	17
9782	Tiza	1	35% PES 65% PP	Illuminating	5-6	18
9783	Anemona	2	35% PES 65% PP	Illuminating	5-6	19
9784	Alma	2	35% PES 65% PP	Illuminating	5-6	20
9785	Fresco	1	35% PES 65% PP	Illuminating	5-6	21
9786	Roca	1	35% PES 65% PP	Illuminating	5-6	22
9787	Fresco	1	35% PES 65% PP	Illuminating	5-6	23



Luxaflex® LightLine® - Retail Prices Including VAT

Please note prices are based on metric calculations, imperial sizes should be used as a guide only

PG1 - 290 mm

	Width	mm	400	600	800	1000	1200	1400	1600	1800	2000	2200	2400	2500
		ins	16"	24"	32"	40"	48"	56"	63"	71"	79"	87"	95"	199"
Drop	mm	ins	£	£	£	£	£	£	£	£	£	£	£	£
	600	24"	270	285	296	308	321	332	467	477	488	501	513	519
	800	32"	281	294	306	321	333	346	483	497	508	522	537	542
	1000	40"	283	296	308	323	335	348	485	499	512	524	539	544
	1200	48"	290	305	321	333	350	366	501	517	530	546	562	571
	1400	56"	296	314	450	470	485	503	652	670	688	706	722	731
	1600	63"	297	314	450	472	486	503	654	672	690	706	724	731
	1800	71"	306	324	465	483	501	519	672	692	710	729	749	758
	2000	79"	314	333	477	495	515	535	810	832	854	875	895	904
	2200	87"	315	335	477	497	517	537	812	834	855	877	897	906
	2400	95"	324	346	488	512	533	555	832	854	877	899	922	933
	2500	99"	326	346	492	512	533	557	834	855	879	900	924	936

PG2 - 290 mm

	Width	mm	400	600	800	1000	1200	1400	1600	1800	2000	2200	2400	2500
		ins	16"	24"	32"	40"	48"	56"	63"	71"	79"	87"	95"	199"
Drop	mm	ins	£	£	£	£	£	£	£	£	£	£	£	£
	600	24"	297	310	323	333	346	355	517	528	540	555	564	571
	800	32"	306	317	332	346	357	375	533	546	562	576	589	596
	1000	40"	308	321	333	348	362	377	535	548	564	578	591	598
	1200	48"	314	330	344	362	377	393	555	569	585	600	614	621
	1400	56"	323	337	503	519	537	555	729	747	765	783	800	809
	1600	63"	324	339	504	521	537	557	731	749	767	783	801	810
	1800	71"	330	350	515	533	549	571	749	769	789	809	825	837
	2000	79"	339	357	526	546	569	587	915	936	956	978	999	1008
	2200	87"	339	362	528	548	569	589	917	938	958	980	1001	1010
	2400	95"	350	373	540	562	585	607	936	958	981	1003	1026	1035
	2500	99"	350	375	540	564	585	607	938	960	983	1005	1028	1037

PG1 - 440 mm

	Width	mm	400	600	800	1000	1200	1400	1600	1800	2000	2200	2400	2500
		ins	16"	24"	32"	40"	48"	56"	63"	71"	79"	87"	95"	199"
Drop	mm	ins	£	£	£	£	£	£	£	£	£	£	£	£
	600	24"	279	292	305	317	332	344	481	495	506	521	535	540
	800	32"	281	294	306	321	333	346	483	497	508	522	537	542
	1000	40"	283	296	308	323	335	348	485	499	512	524	539	544
	1200	48"	296	312	328	344	364	380	517	533	549	569	585	593
	1400	56"	296	314	450	470	485	503	652	670	688	706	722	731
	1600	63"	310	330	474	494	513	530	686	708	728	749	769	780
	1800	71"	312	332	476	495	513	533	809	832	852	872	893	902
	2000	79"	328	350	495	519	540	567	843	866	893	917	942	951
	2200	87"	330	351	497	521	542	569	846	868	895	918	944	956
	2400	95"	346	375	521	546	576	602	882	909	938	963	992	1005
	2500	99"	346	375	521	546	576	602	884	909	940	965	992	1007

PG2 - 440 mm

	Width	mm	400	600	800	1000	1200	1400	1600	1800	2000	2200	2400	2500
		ins	16"	24"	32"	40"	48"	56"	63"	71"	79"	87"	95"	199"
Drop	mm	ins	£	£	£	£	£	£	£	£	£	£	£	£
	600	24"	305	315	330	344	355	373	530	544	560	573	587	593
	800	32"	306	317	332	346	357	375	533	546	562	576	589	596
	1000	40"	308	321	333	348	362	377	535	548	564	578	591	598
	1200	48"	321	337	353	373	389	407	569	587	603	620	634	647
	1400	56"	323	337	503	519	537	555	729	747	765	783	800	809
	1600	63"	335	355	522	542	564	585	762	787	805	825	846	857
	1800	71"	337	357	524	544	567	587	913	933	953	978	998	1007
	2000	79"	351	378	546	571	596	618	947	971	998	1021	1044	1055
	2200	87"	353	380	548	573	598	620	949	972	999	1025	1046	1057
	2400	95"	373	398	573	600	625	652	987	1014	1043	1068	1095	1111
	2500	99"	375	400	576	602	627	654	989	1016	1043	1070	1097	1113

Carriage paid for delivery to mainland dealer addresses in England, Scotland and Wales. Surcharge may apply for home and non-mainland deliveries. Delivery to the Channel Islands - £35.50. Delivery to Northern Ireland - £25.



Luxaflex® LightLine® - Retail Prices Including VAT

Please note prices are based on metric calculations, imperial sizes should be used as a guide only

Options

Powerview	£210	per blind
Mounting profile	£47	per m width
Cassette	£98	per m width
Motor - roll up	£211	per blind
Multicolour option	25%	on highest PG
Double sided trim	10%	440mm panel only
Design edition (White, Pearl Chrome or Black - excludes mounting profile)	£26	
Plastic chain	FOC	

Carriage paid for delivery to mainland dealer addresses in England, Scotland and Wales. Surcharge may apply for home and non-mainland deliveries. Delivery to the Channel Islands - £35.50. Delivery to Northern Ireland - £25.